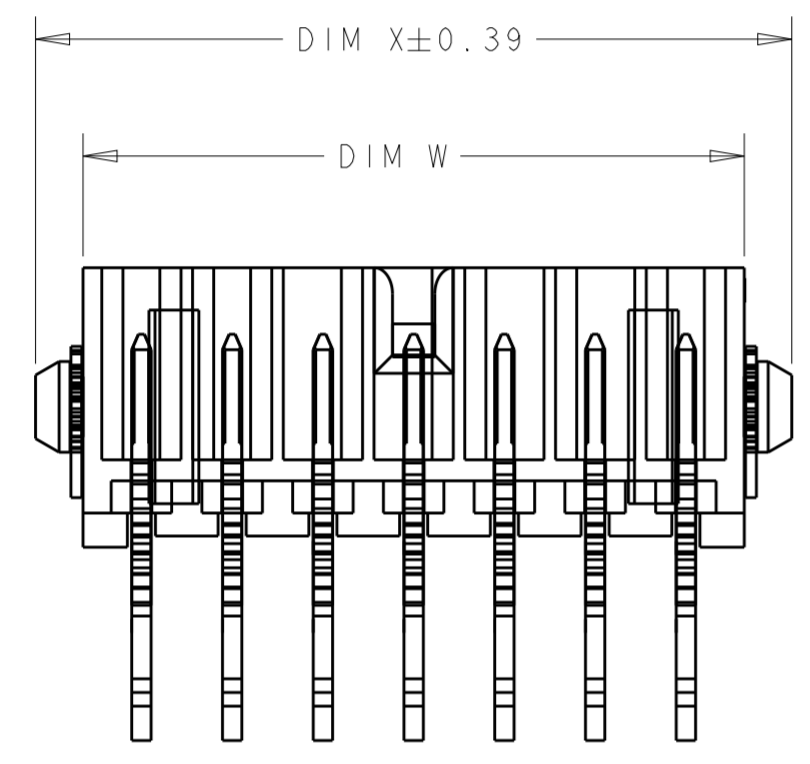
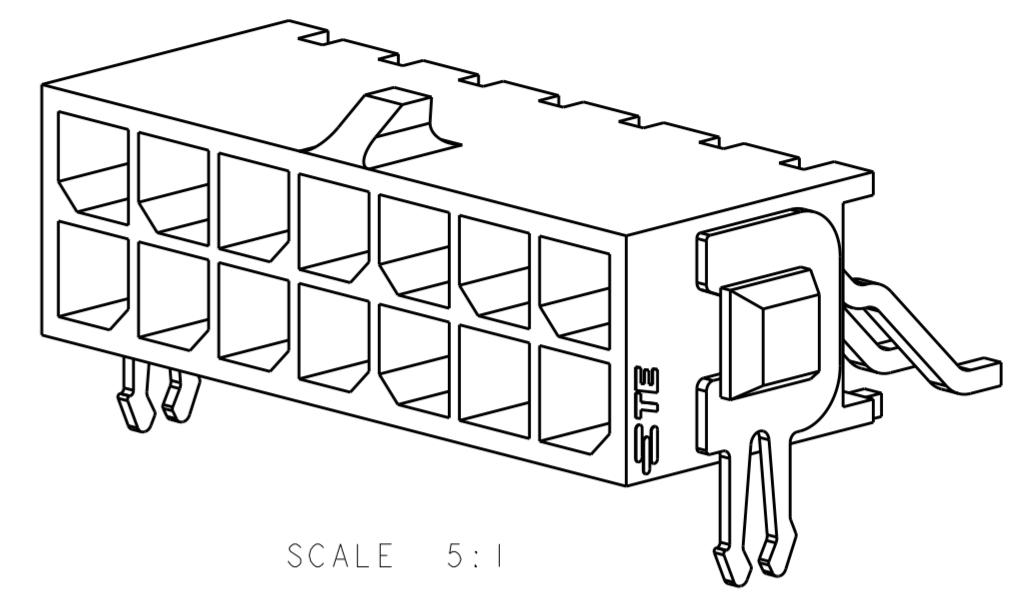
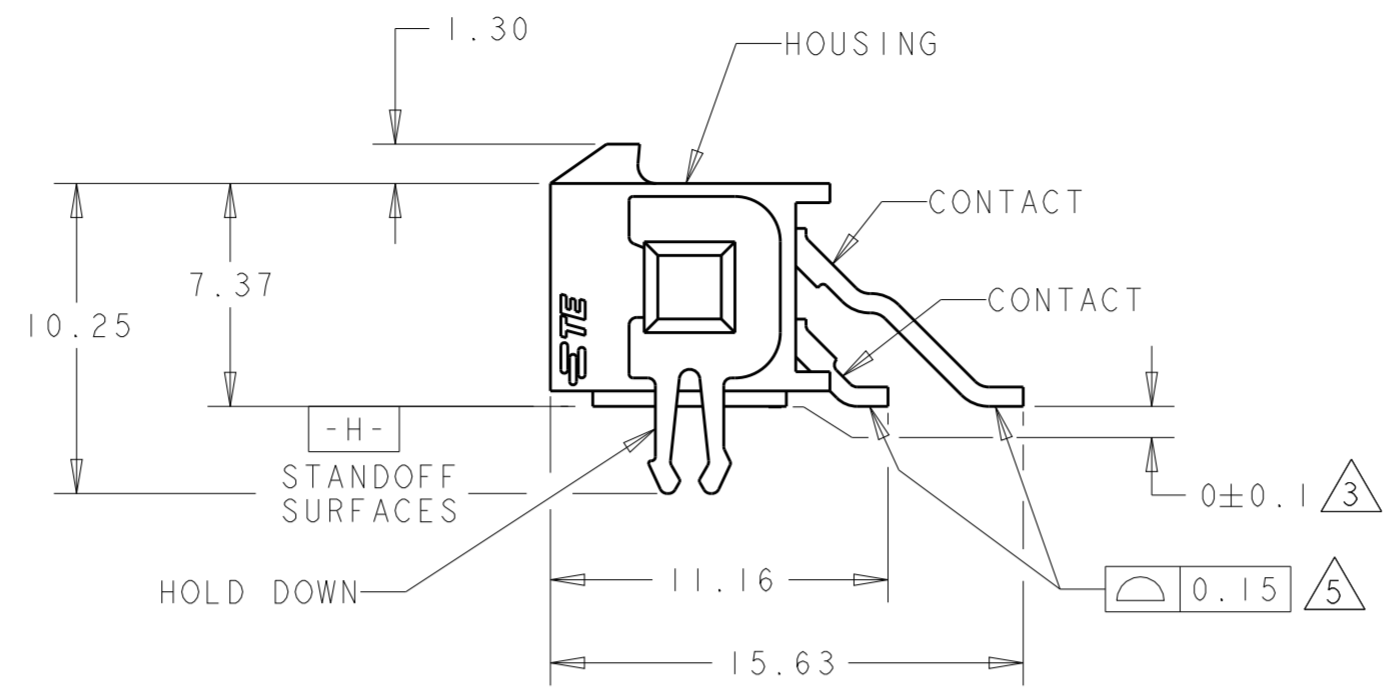
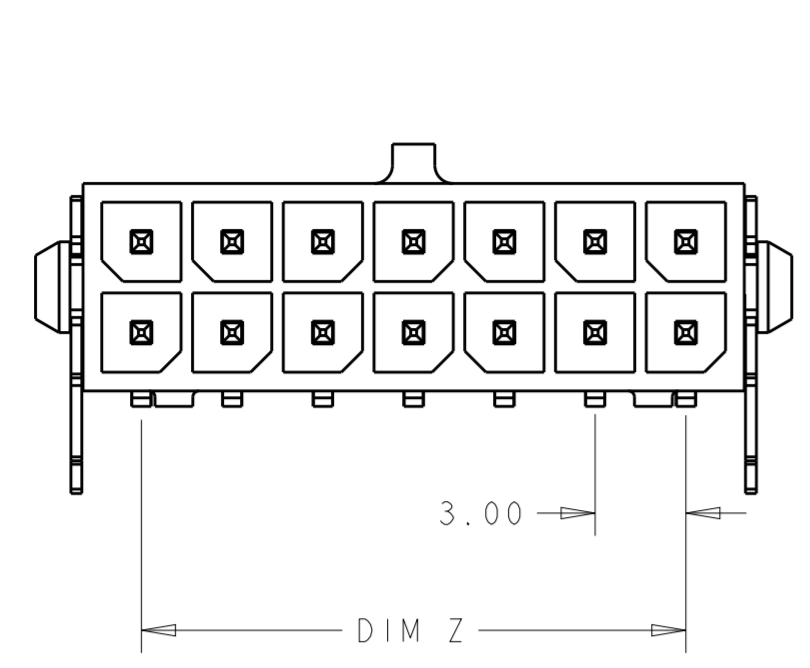


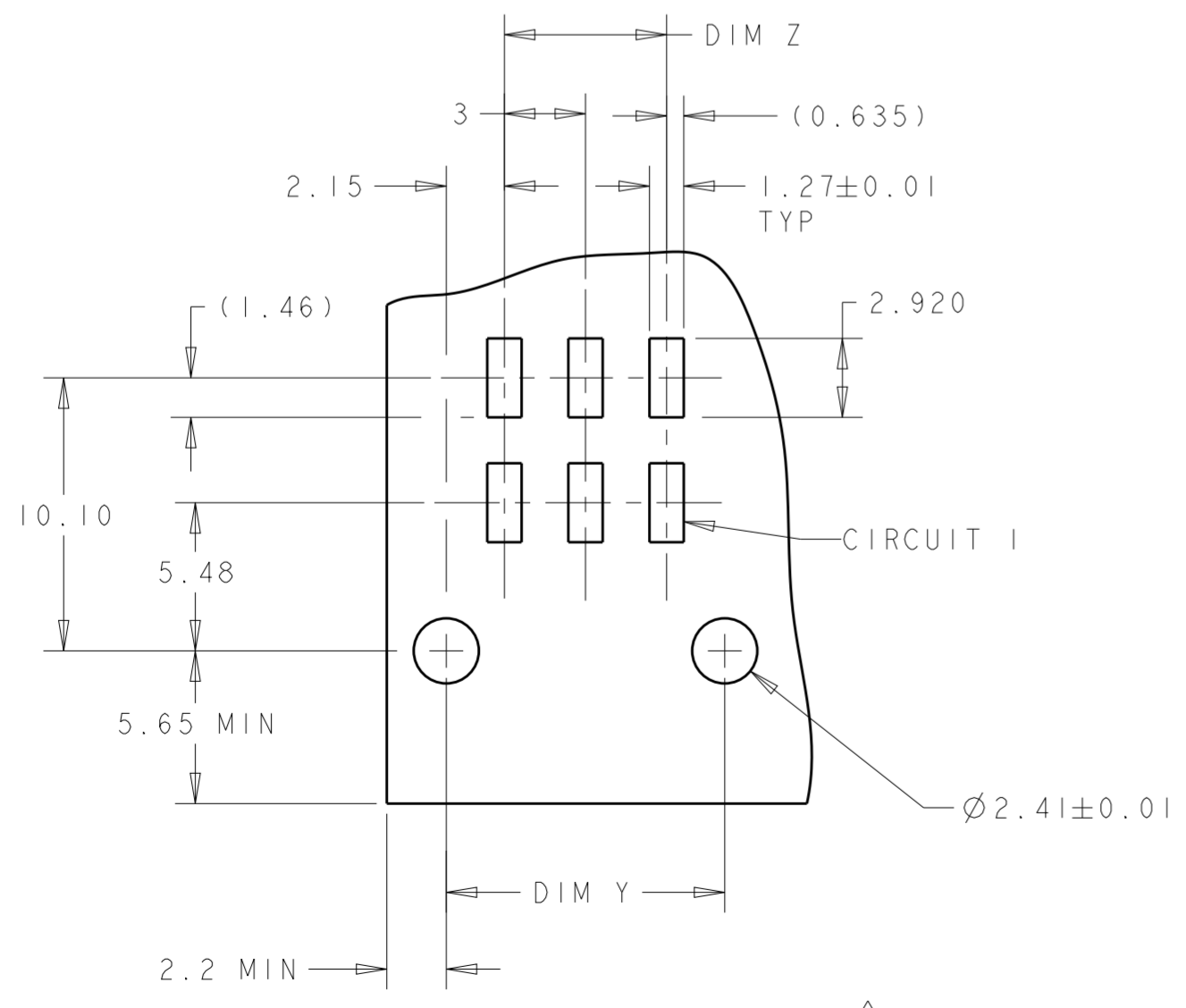
THIS DRAWING IS UNPUBLISHED. RELEASED FOR PUBLICATION 20  
 © COPYRIGHT 20 BY - ALL RIGHTS RESERVED.

| LOC | DIST | REVISIONS |     |                           |          |     |      |
|-----|------|-----------|-----|---------------------------|----------|-----|------|
| CM  | 00   | P         | LTR | DESCRIPTION               | DATE     | DWN | APVD |
|     |      | G         |     | REVISED PER ECO-15-003291 | 27JULY15 | SC  | DZ   |

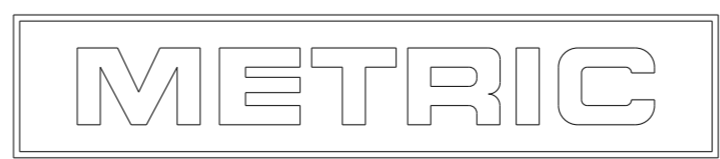


- 1 MATERIAL;  
CONTACTS - BRASS.  
HOUSING - UL 94V-0 RATED HIGH TEMP NYLON,  
COLOR; BLACK.  
HOLD DOWNS - PHOSPHOR BRONZE.
- 2 FINISH;  
CONTACTS - 2.54µm MINIMUM TIN-LEAD OVER 1.27µm  
MINIMUM NICKEL.  
HOLD DOWNS - 2.54µm TIN LEAD.
- 3 DIMENSION APPLIES TO SOLDERTAIL SURFACES  
AND STANDOFF SURFACES.
- 4 RECOMMENDED PCB THICKNESS OF 1.57.
- 5 ALL SOLDERTAILS.
- 6 FINISH;  
CONTACTS - 2.54µm MINIMUM MATTE TIN OVER 1.27µm  
MINIMUM NICKEL.

|        |       |       |       |       |              |            |
|--------|-------|-------|-------|-------|--------------|------------|
| 6      | 36.86 | 37.30 | 33.00 | 40.00 | 24           | 5-794624-4 |
|        | 33.86 | 34.30 | 30.00 | 37.00 | 22           | 5-794624-2 |
|        | 30.86 | 31.30 | 27.00 | 34.00 | 20           | 5-794624-0 |
|        | 27.86 | 28.30 | 24.00 | 31.00 | 18           | 4-794624-8 |
|        | 24.86 | 25.30 | 21.00 | 28.00 | 16           | 4-794624-6 |
|        | 21.86 | 22.30 | 18.00 | 25.00 | 14           | 4-794624-4 |
|        | 18.86 | 19.30 | 15.00 | 22.00 | 12           | 4-794624-2 |
|        | 15.86 | 16.30 | 12.00 | 19.00 | 10           | 4-794624-0 |
|        | 12.86 | 13.30 | 9.00  | 16.00 | 8            | 3-794624-8 |
|        | 9.86  | 10.30 | 6.00  | 13.00 | 6            | 3-794624-6 |
| 2      | 6.86  | 7.30  | 3.00  | 10.00 | 4            | 3-794624-4 |
|        | 3.86  | 4.30  | -     | 7.00  | 2            | 3-794624-2 |
|        | 36.86 | 37.30 | 33.00 | 40.00 | 24           | 2-794624-4 |
|        | 33.86 | 34.30 | 30.00 | 37.00 | 22           | 2-794624-2 |
|        | 30.86 | 31.30 | 27.00 | 34.00 | 20           | 2-794624-0 |
|        | 27.86 | 28.30 | 24.00 | 31.00 | 18           | 1-794624-8 |
|        | 24.86 | 25.30 | 21.00 | 28.00 | 16           | 1-794624-6 |
|        | 21.86 | 22.30 | 18.00 | 25.00 | 14           | 1-794624-4 |
|        | 18.86 | 19.30 | 15.00 | 22.00 | 12           | 1-794624-2 |
|        | 15.86 | 16.30 | 12.00 | 19.00 | 10           | 1-794624-0 |
| FINISH | DIM W | DIM Y | DIM Z | DIM X | NO. OF POSN. | ASSEMBLY   |



RECOMMENDED PCB LAYOUT (COMPONENT SIDE) 4



THIS DRAWING IS A CONTROLLED DOCUMENT.

|   |  |              |         |           |            |               |
|---|--|--------------|---------|-----------|------------|---------------|
| DWN S. HOOVER 23-MAR-2005   | TE Connectivity                        |              |         |           |            |               |
| CHK C. JONES 23-MAR-2005  |  |              |         |           |            |               |
| APVD C. JONES 23-MAR-2005   |  |              |         |           |            |               |
| NAME SURFACE MOUNT, RIGHT ANGLE, MECH. HOLD DOWN, ASSEMBLY, TIN HEADER, DUAL ROW, MICRO MATE-N-LOK (TM) |  |              |         |           |            |               |
| DIMENSIONS: mm  | TOLERANCES UNLESS OTHERWISE SPECIFIED: | PRODUCT SPEC | SIZE    | CAGE CODE | DRAWING NO | RESTRICTED TO |
| 0 PLC ±   | 1 PLC ±                                | 2 PLC ±0.13  | 3 PLC ± | 4 PLC ±   | ANGLES ±   | FINISH        |
| MATERIAL 1  | SEE TABLE                              | WEIGHT       | A200779 | C-794624  |            |               |
| CUSTOMER DRAWING  |  | SCALE 4:1    | SHEET 1 | OF 1      | REV G      |               |